



## Introduction

mySITE workstation systems offer a fresh look in design, functionality and performance, providing a complete solution for any office. Fixed height, technician height adjustable and user height adjustable desking options are available to meet the needs of today's dynamic office environment. Furthermore, the desk shape can be selected from options of; straight, 90 degree and 120 degree to best utilise space allocations, and encourage communication, and collaboration within an organisation.

Maximum footprint usage due to sleek frame design for increased leg room and low profile foot ensures mobile cabinets are easily placed under all areas of the work surface.

## Features

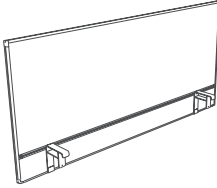
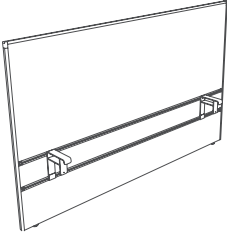
- Depending on the flexibility required mySITE offers a number of frame options: user adjustable, technician adjustable and fixed
- Variety of desk shape options: straight, 90 and 120 degrees in lengths from 1200 to 2000mm
- mySITE screens available to suit
- Discrete clip on cable management system for power and data cables
- Modesty and accessory panels available
- Range of accessories including: screens, paper and filing trays, dividers, desk shelf, and CPU holder
- Range of colours and finishes to match your fit out design
- Work surface LPL 25mm board with either undercut or 2mm PVC flat edge.
- 10 Year Warranty excluding fabric.

**Technical specifications**

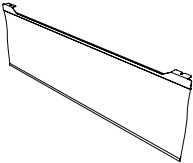
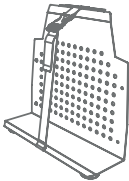
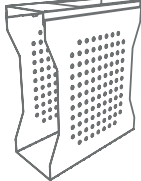

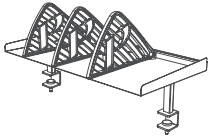
**Workstation sizes**

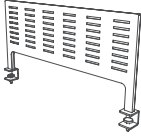



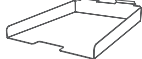
<b>90°</b>	<b>120°</b>	<b>Straight</b>	<b>Or</b>
2000 x 2000 x 750mm (D)	1400 x 1400 x 700mm (D)	2000 x 850mm (D)	2000 x 750mm (D)
1800 x 1800 x 750mm (D)	1200 x 1200 x 700mm (D)	1800 x 850mm (D)	1800 x 750mm (D)
1600 x 1600 x 750mm (D)		1600 x 850mm (D)	1600 x 750mm (D)
		1400 x 850mm (D)	1400 x 750mm (D)
		1200 x 850mm (D)	1200 x 750mm (D)

**Workstation accessories sizes**

<b>Screens</b>	<b>Floor mounted screen</b>		<b>Off floor screen</b>
	2000 x 1200mm high 1800 x 1200mm high 1600 x 1200mm high 1400 x 1200mm high 1200 x 1200mm high		2000 x 900mm high (1200mm AFL) 1800 x 900mm high (1200mm AFL) 1600 x 900mm high (1200mm AFL) 1400 x 900mm high (1200mm AFL) 1200 x 900mm high (1200mm AFL)
	2000 x 1050mm high 1800 x 1050mm high 1600 x 1050mm high 1400 x 1050mm high 1200 x 1050mm high		2000 x 750mm high (1050mm AFL) 1800 x 750mm high (1050mm AFL) 1600 x 750mm high (1050mm AFL) 1400 x 750mm high (1050mm AFL) 1200 x 750mm high (1050mm AFL)

<b>Cable management</b>	<b>Cable trays</b>
	2000mm 1800mm 1600mm 1400mm 1200mm

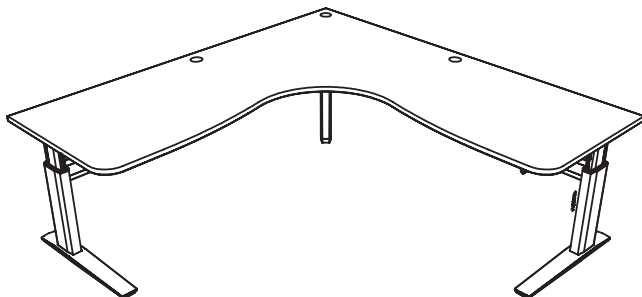
	<b>Modesty panels</b> 2000mm 1800mm 1600mm 1400mm 1200mm		<b>CPU holder</b>  205mm (W)  120mm (W)	<b>Desk shelf</b> 750mm long 500mm long 
		Leg mounted		

<b>Accessory panels &amp; accessories</b>	<b>Accessory panel</b> 750mm long 500mm long 	<b>Paper tray landscape</b> 	<b>Dividers</b> 
	<b>Shelf (including dividers)</b> 300mm 500mm 	<b>Paper tray portrait</b> 	

**Frame options**

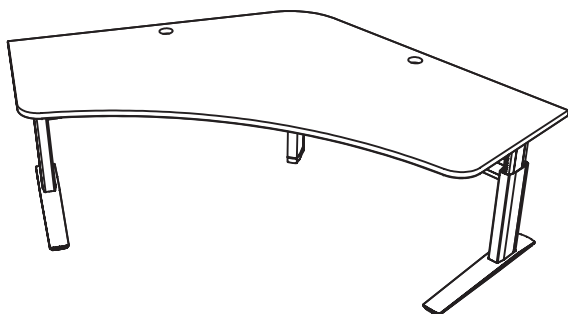
**User**

The user height adjustable option features a newly developed, maintenance free and extremely reliable drive mechanism operated from an extendable under-desk handle.



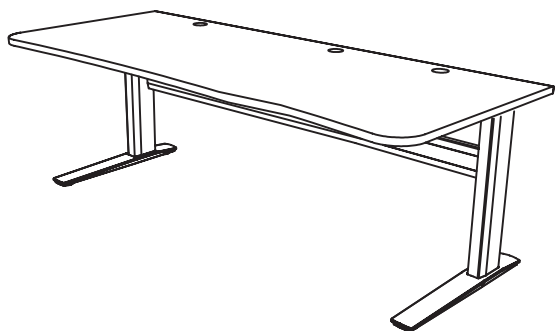
**Tech**

Technician adjustable workstations are operated by adjusting each leg independently. Each leg has a push button release mechanism to adjust the height of the leg.



**Fixed**

Fixed height workstation frames are set to a standard height of 710mm above floor level.



**Other**

**Accessories**

- Screens
- Off floor screen
- Cable management
- Cable trays
- Tray extensions
- Corner connectors
- Modesty panels
- CPU holder
- Desk shelf
- Accessory panel
- Paper tray portrait
- Paper tray landscape
- Dividers
- Shelf

**Top shape options**

mySITE workstations are available in 90°, 120° or straight configurations, which can be used individually or in combination, to meet the requirements of any interior fit out.

